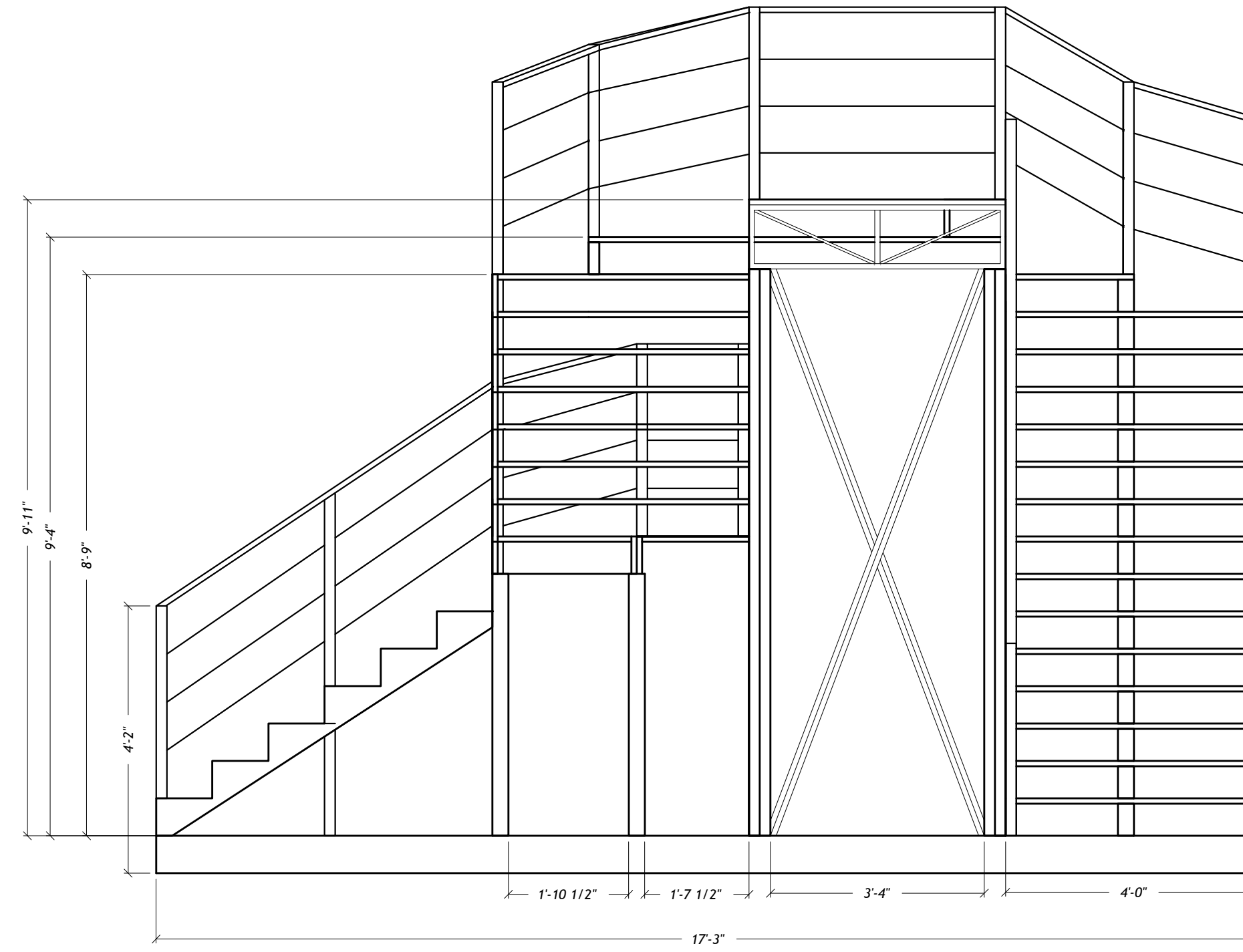
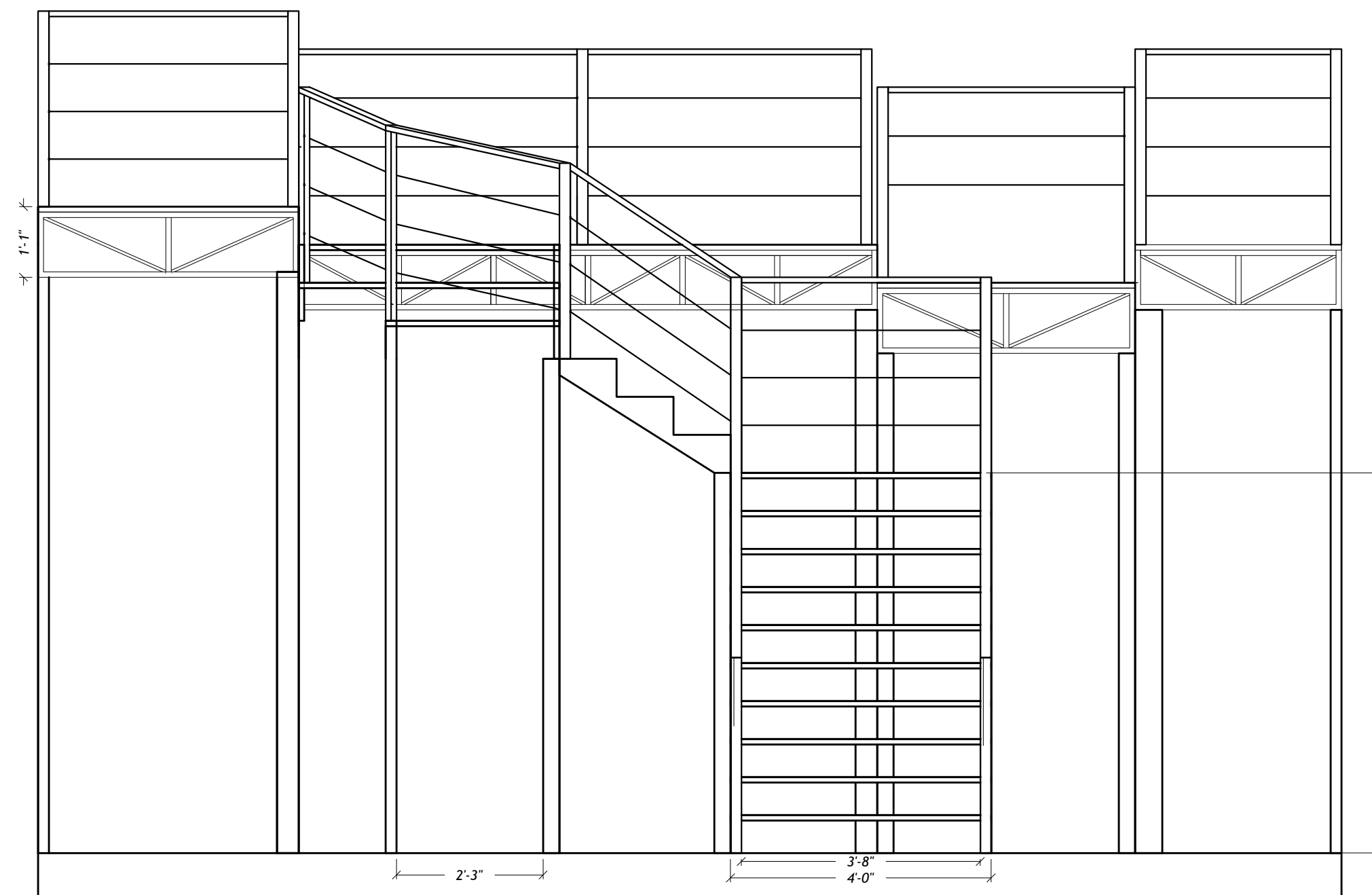
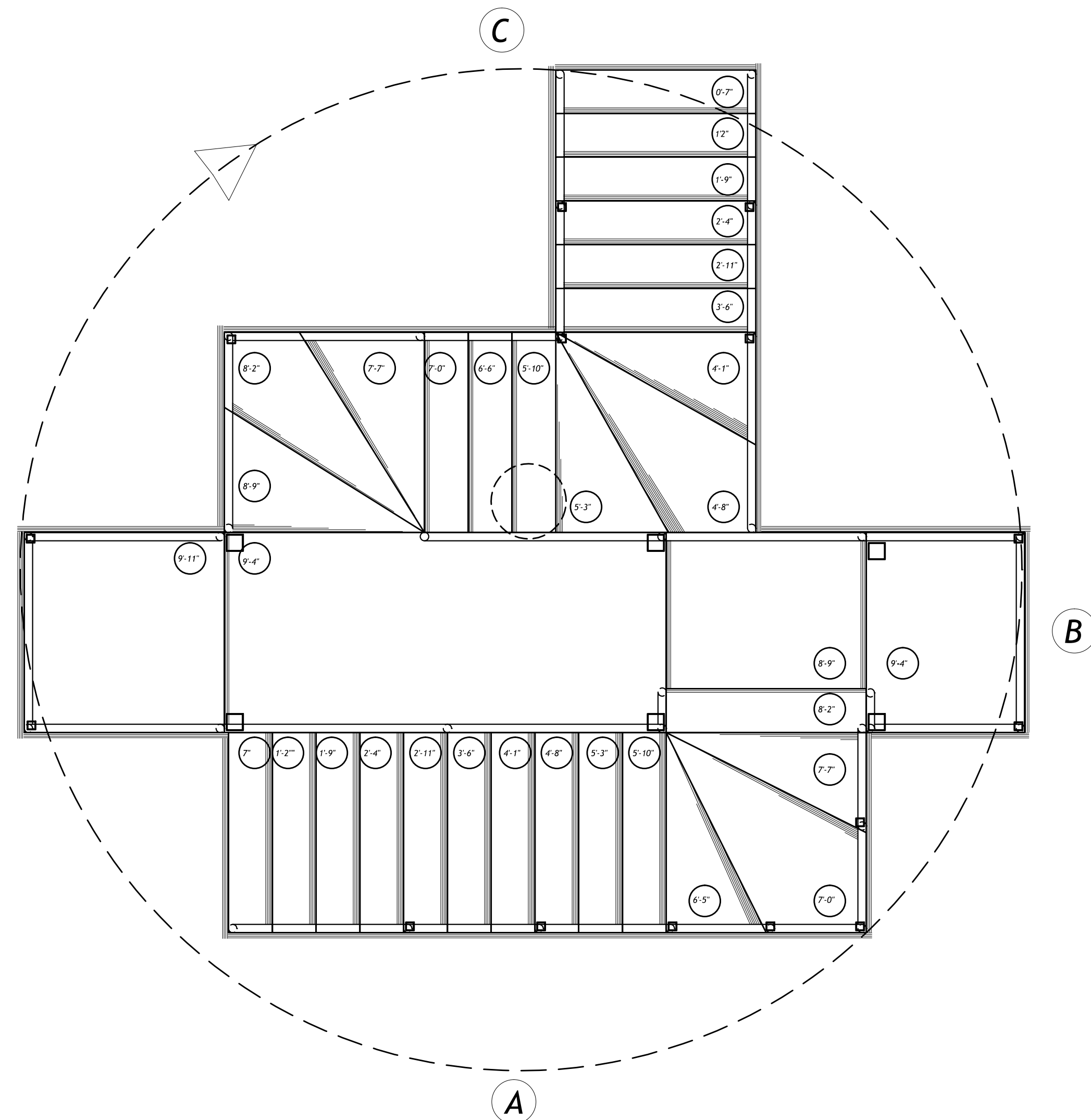


SIDE A ELEVATION



SIDE B ELEVATION

Notes:  
 -Platform rotates on center axis with casters concealed beneath 7" deck  
 -Stair rises are 7", run 10-1/2", treads to be frames with 1" box steel and faced with perforated steel.  
 -Railings are 2" pipe with steel cable spanning between pipes



SIDE C ELEVATION

### DON GIOVANNI

Page  
9  
of 9

These drawings represent the artistic concept of the designer. The designer is not qualified nor responsible for the engineering of these designs. No responsibility for the site, construction or safety of any element is assumed by the designer. All applicable fire and safety codes are to be strictly applied.

THE BOSTON UNIVERSITY THEATER  
 Directed By: Daniel Pelzig  
 Designed By: Andrea R Nice  
 amice03@gmail.com

Rotating Platform
Scale: 1/2" = 1'0"
Date: 2/3/2014
Revision: